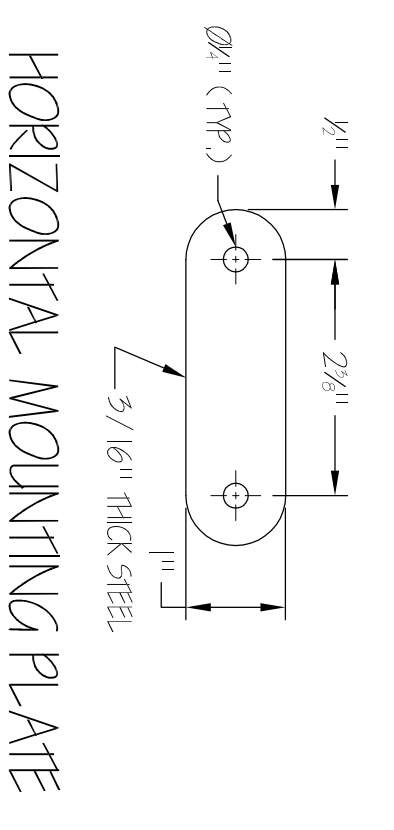
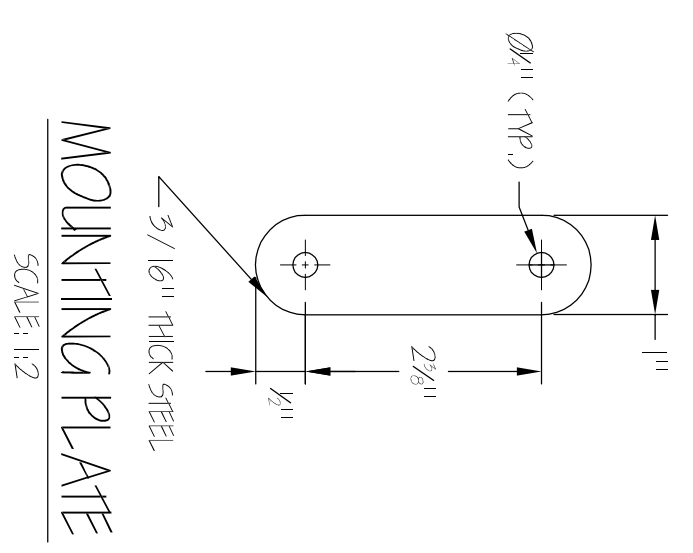


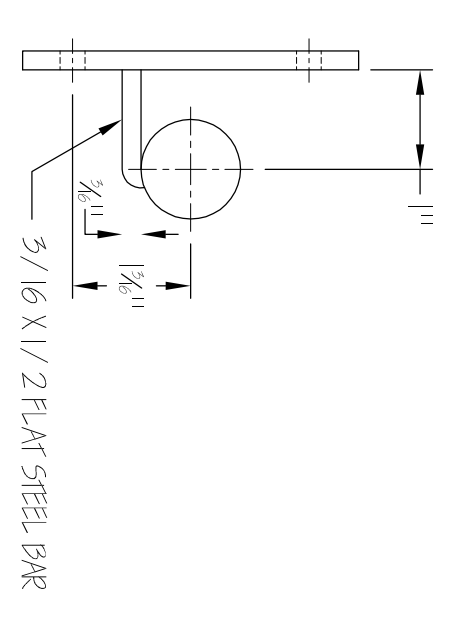
NOTE: TRACK MUST BE SPLICED TO ACCOMMODATE TRACK SIZE AS FOLLOWS:
BLACK: 12 FT.
CHROME: 10 FT.
BR/455: 5 FT.



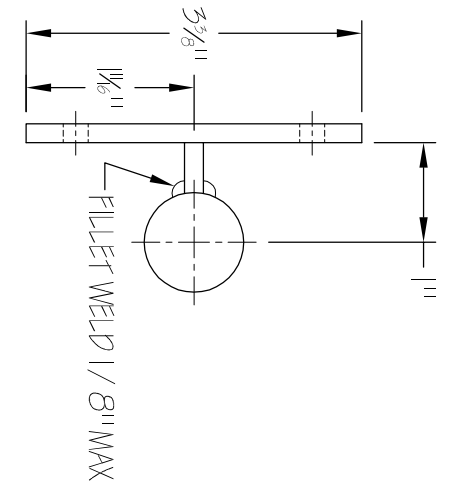
HORIZONTAL MOUNTING PLATE
SCALE: 1:2



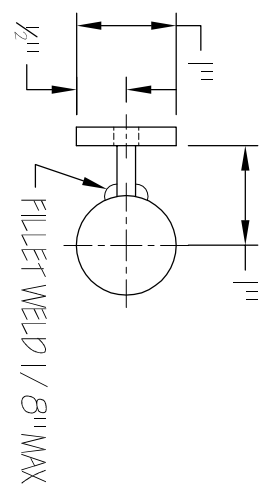
MOUNTING PLATE
SCALE: 1:2



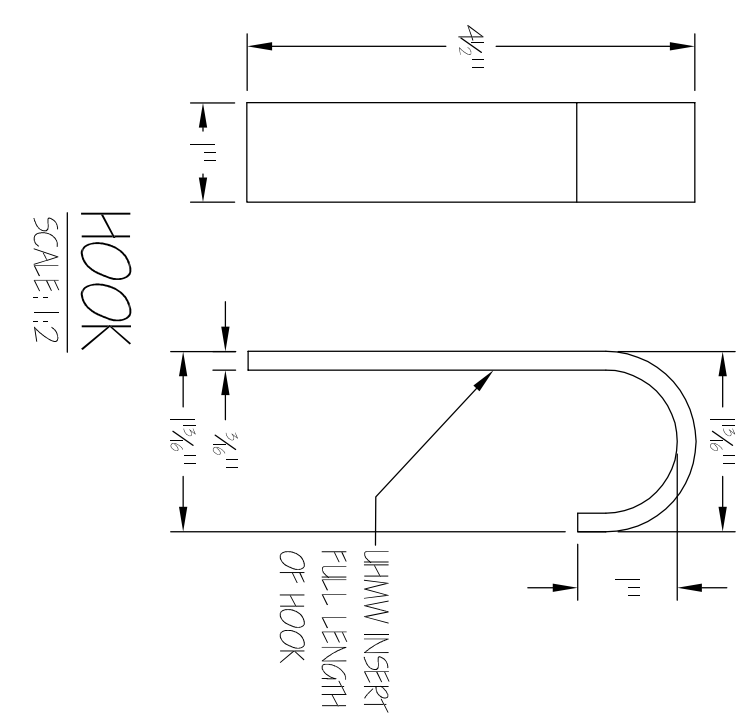
HOOK TYPE
SCALE: 1:2



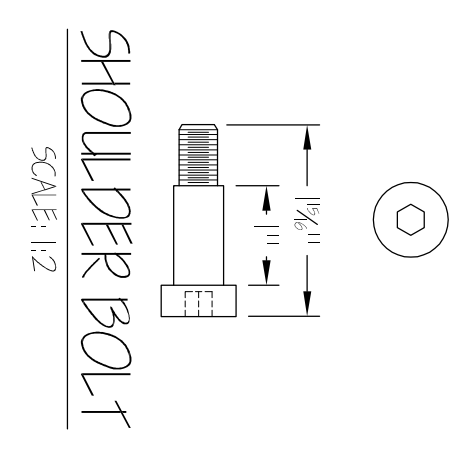
ROLL TYPE
SCALE: 1:2



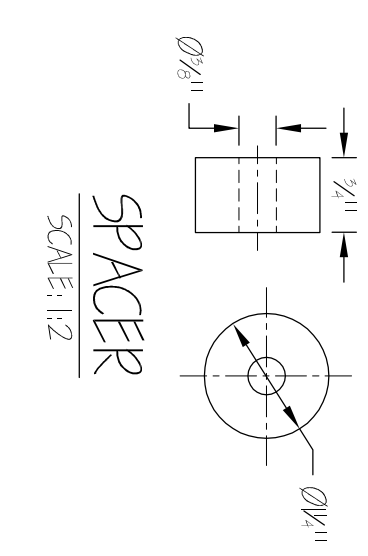
SLOTTED ROLL TYPE
SCALE: 1:2



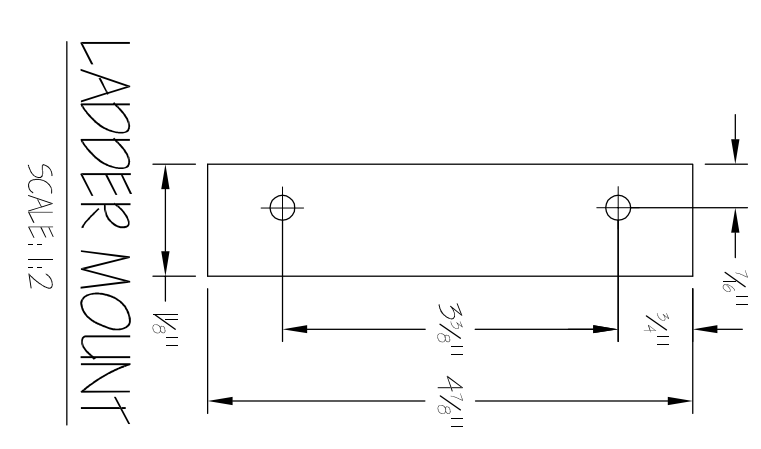
HOOK
SCALE: 1:2



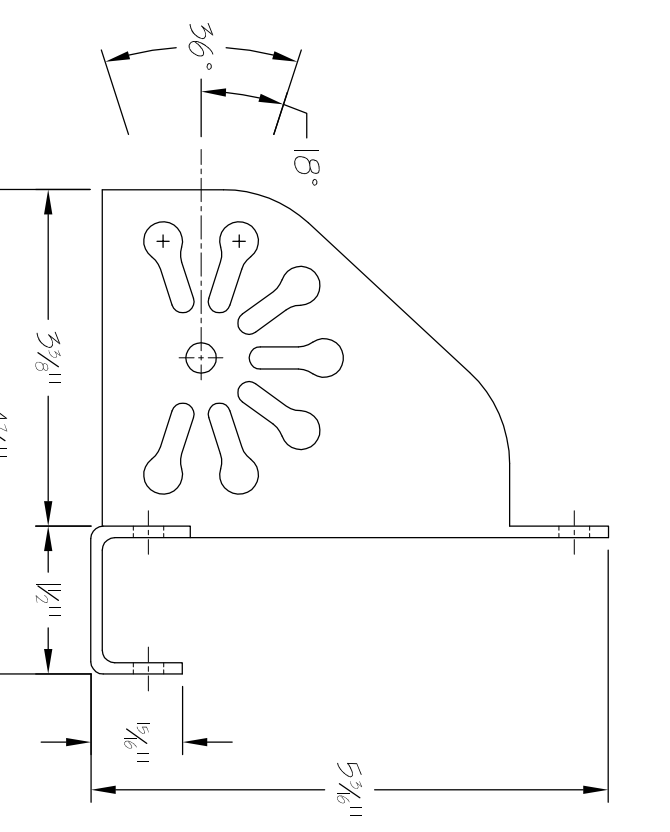
SHOULDER BOLT
SCALE: 1:2



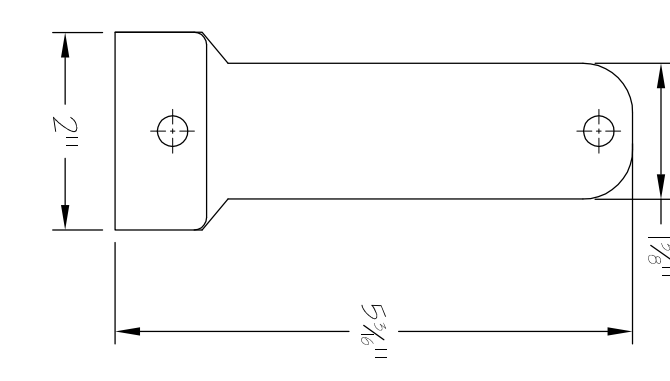
SPACER
SCALE: 1:2



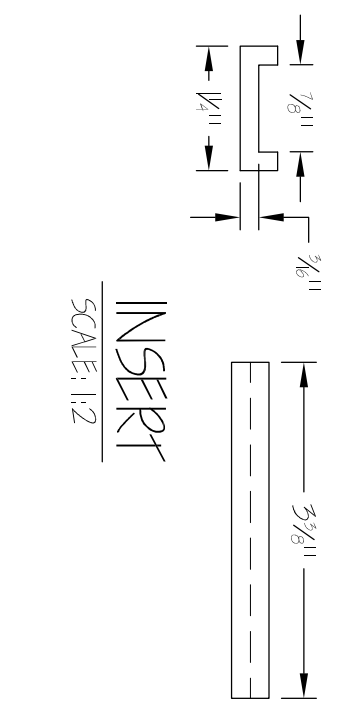
LADDER MOUNT
SCALE: 1:2



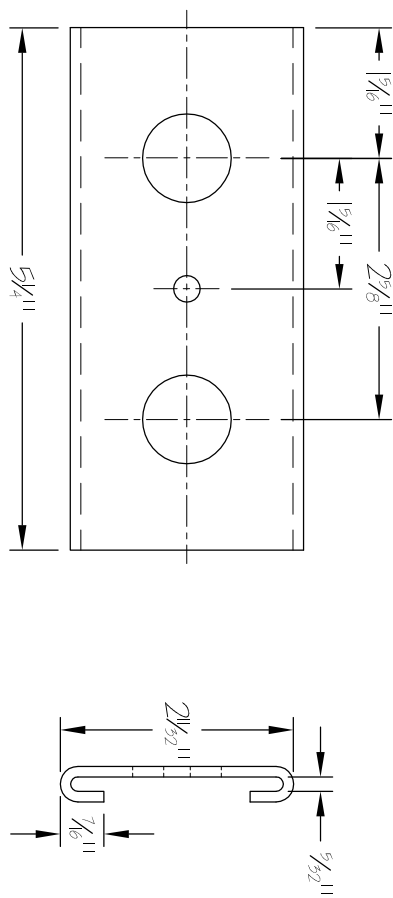
WHEEL HOUSING
SCALE: 1:2



SLIDE PLATE, SLIDE BRACKET AND LADDER MOUNT MADE OF 12GA. STEEL



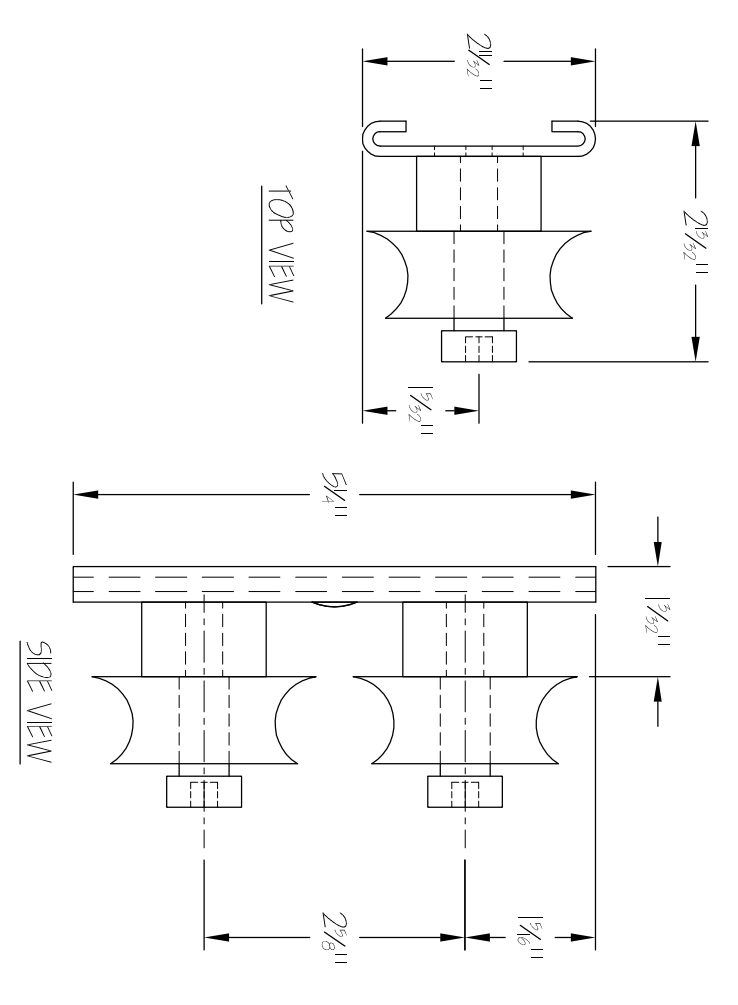
INSERT
SCALE: 1:2



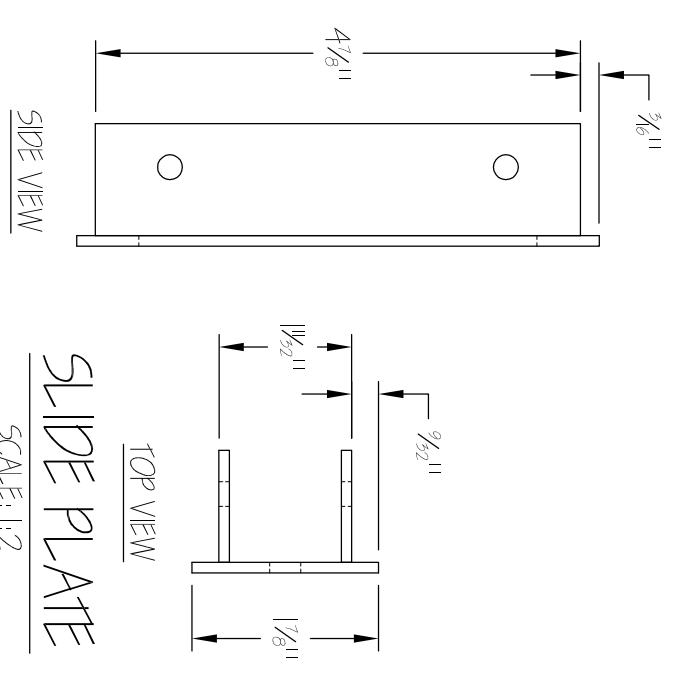
SLIDE BRACKET
SCALE: 1:2

NOTE: MUST ACCEPT AND ALLOW MOUNTING PART TO SLIDE FREELY

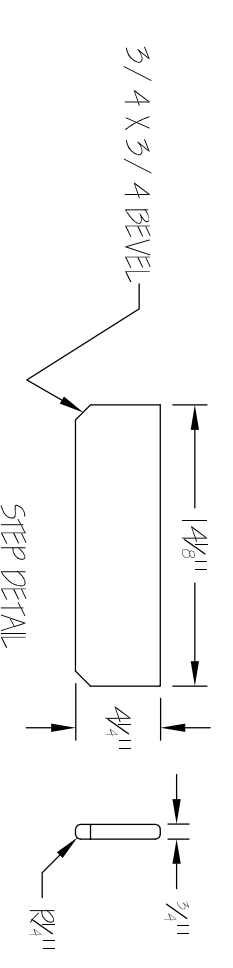
PARTS



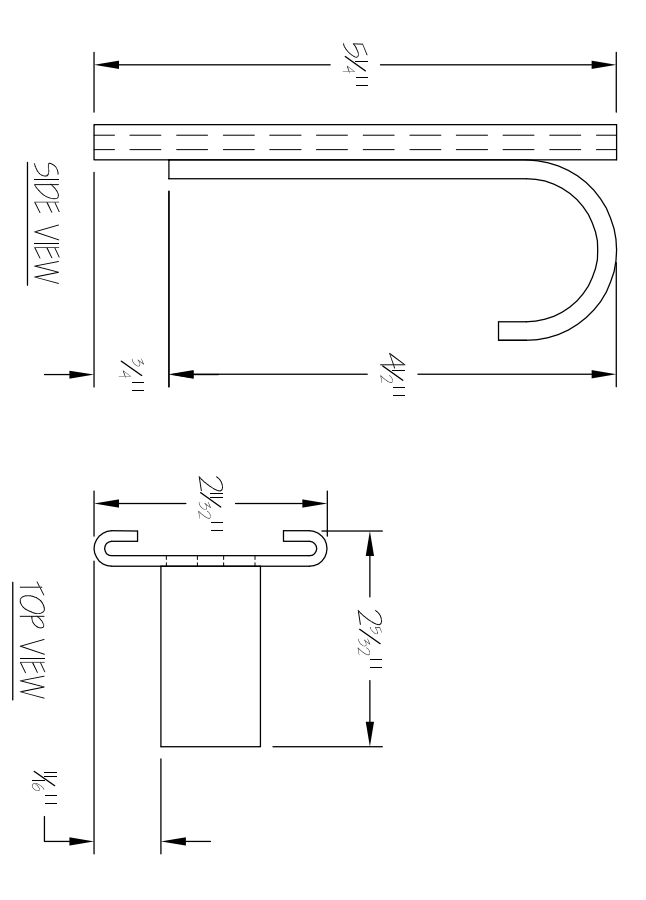
ROLLER TYPE
SCALE: 1:2



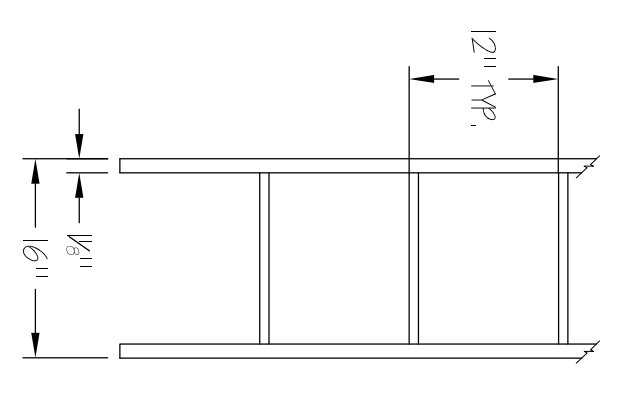
SLIDE PLATE
SCALE: 1:2



STEP DETAIL
SCALE: 1:10

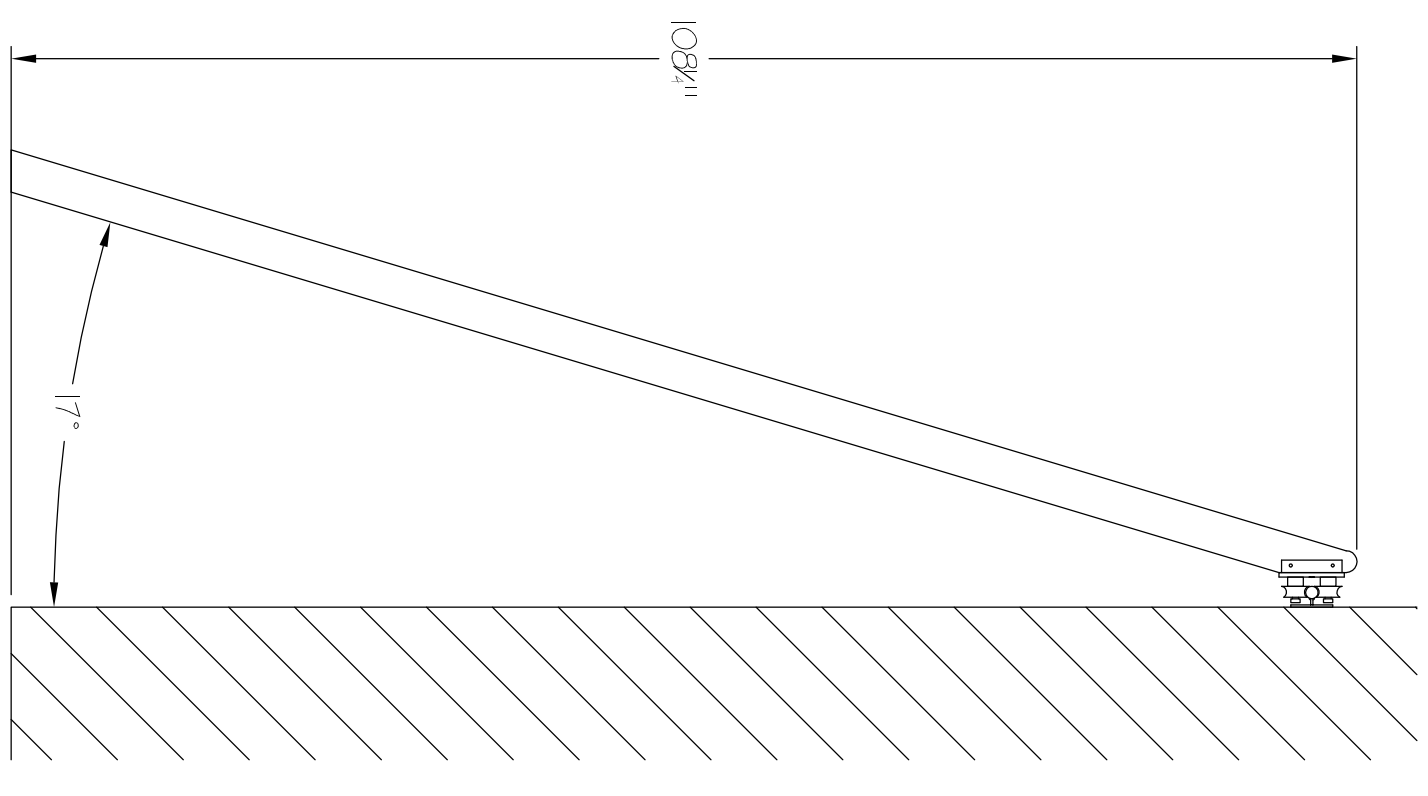


HOOK TYPE
SCALE: 1:2

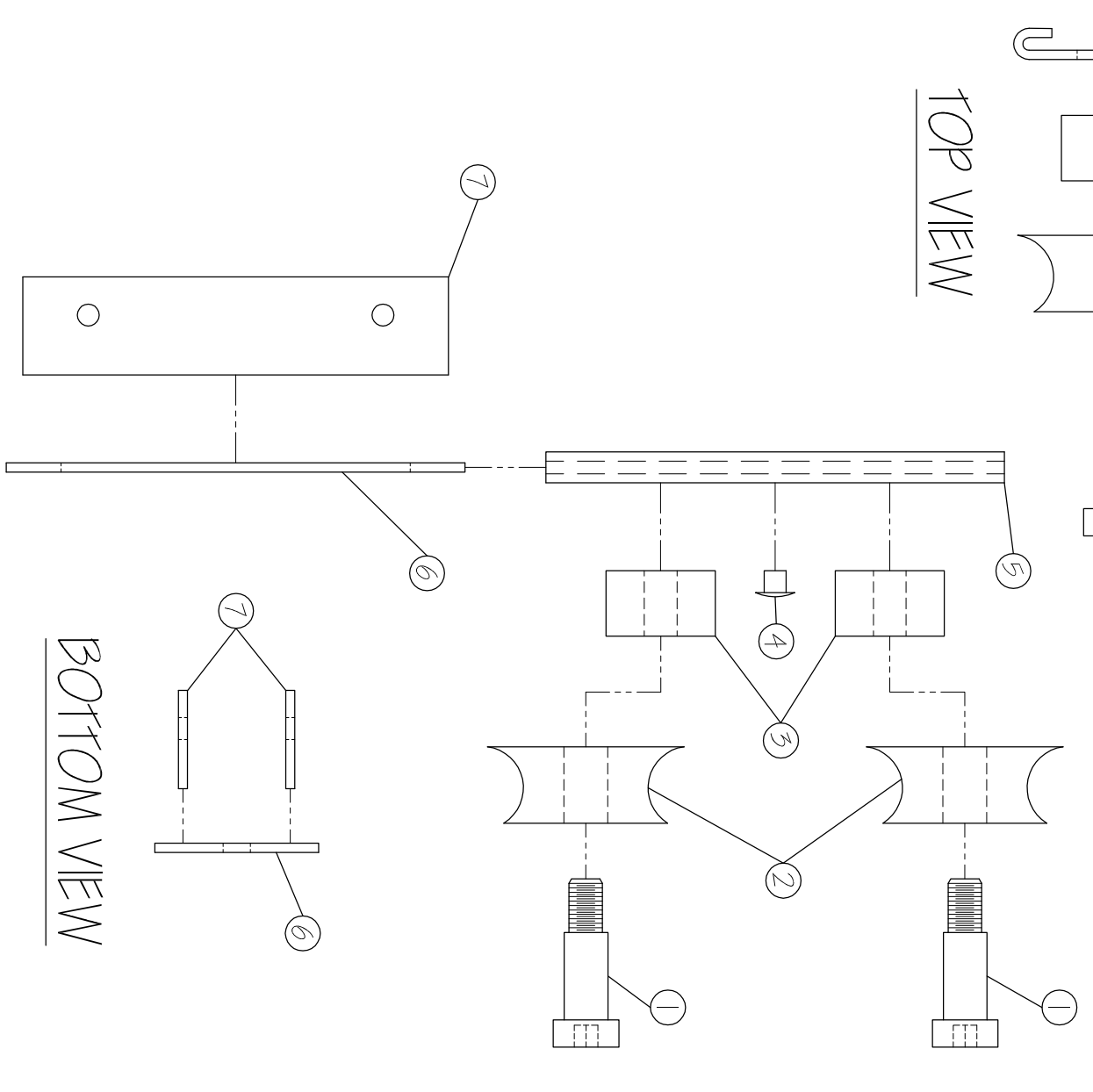


SCREW PATTERN
SCALE: 1:10

(2) #10 X 2 WOOD SCREWS EACH END PLUG AND FILL. FLUSH
RHS ROD 3/16" 1/16" BELOW STEP
SCALE: 1:10



LADDER DETAILS



ROLLER TYPE ASSEMBLY
SCALE: 1:2

TITLE: WOOD LIBRARY LADDER	
DRAWN BY: M. BEBELLA	
DATE: 05/27/2005	
SCALE: NONE	
CUSTOMER: LIBRARY LADDER INSTRUCTION SHEET	SPRINK STAIRS OF AMERICA
NO: WLL-1	7700 SPRINK COURT BEE, PENNSYLVANIA 16510 (814) 898-5700 FAX: (814) 899-9139